

SUITE 16 STANDARD SERIES

MODEL 202 - FLOOR MOUNT

MODEL 203 - MOBILE

**NEW
FOR 2009**

**ONLY 16" WIDE!
YET STILL
FULLY FUNCTIONAL**

**LOADED WITH
STANDARD FEATURES!**

Standard Features:

Choice of durable laminate finish

2-Handpiece ready
3-Way syringe
Auto-clavable vacuum
High-volume evacuator

100% cabinet grade plywood with your choice of laminate

Casters on model 203

Optional Feature:

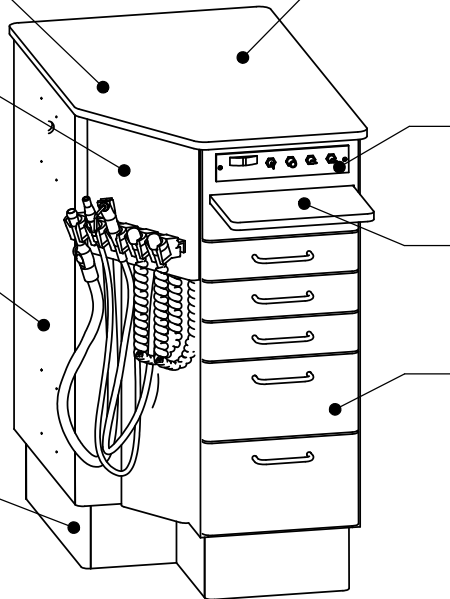
Solid surface top
i.e. Hi-Mac Corian etc..

Standard Features:

Highly accessible modular controller

Pullout Breadboard

Five high impact washable drawers with full extension slides



Standard Features:

GFCI outlet

Solids collector

Isolated water side compartment

Extra high toe plate to protect cabinet from rolling stools!

Standard Features:

Circuit breaker

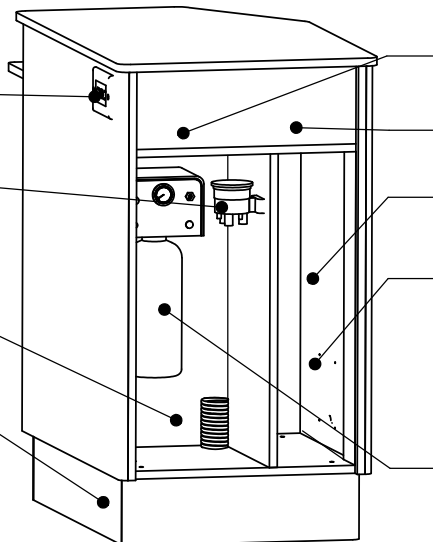
Isolated electrical compartment

Inside receptacle for optional lighting system

Extra storage

Optional Feature:

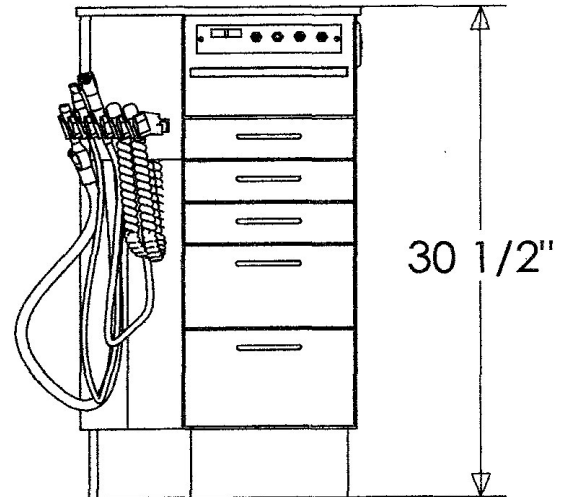
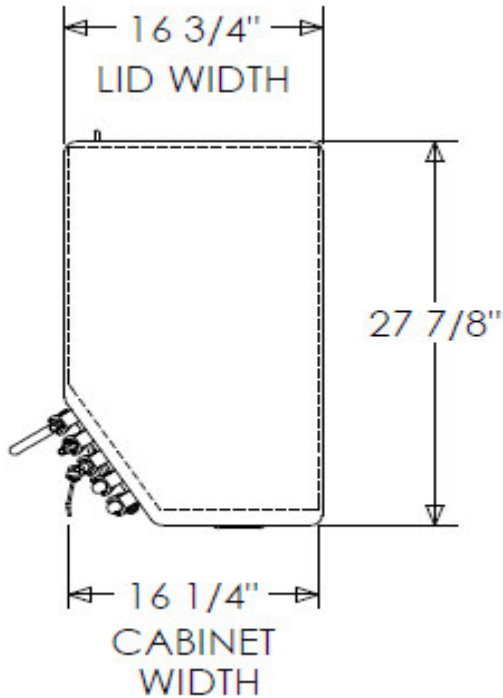
Self-contained water



CONTACT A DEXTA REP FOR ADDITIONAL OPTIONS

Specifications:

Suite Sixteen Series Model 202, 203



Dexta Corporation
962 Kaiser Road
Napa, CA 94558
Ph (707) 255-2454
Fx (707) 255-8520

www.dexta.com

1-800-733-3982



*Contact your Dexta
salesperson for details
on approved models.*

Standard Controller Features:

- Manual control – 2 hand piece ready.
One high speed, one low speed
- On/Off coolant control for HS hand piece
- Quick clean three-way syringe
- Master on/off toggle
- Autoclavable central vacuum
- One saliva ejector
- One high-volume evacuator
- Solids collector with strainer

Standard Inside Drawer Dimensions:

- 3 Drawers – 8" wide x 12" deep x 2-1/4" high
- 2 Drawers – 8" wide x 12" deep x 5" high
- 1608 cubic inches of drawer space